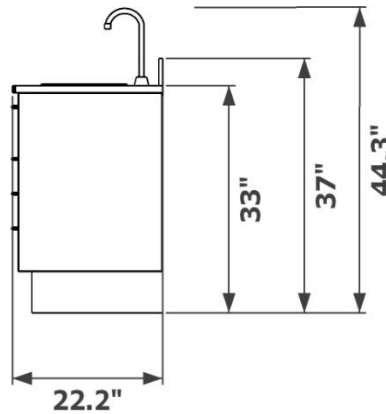
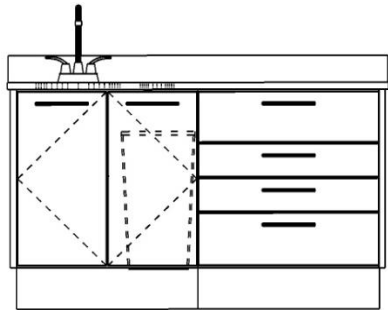


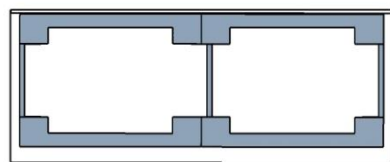
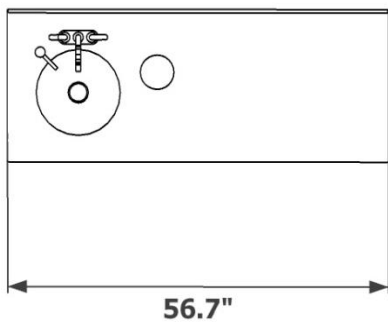


Symmetry Dental Equipment
Symmetry 4.0 Collection
3E - Ancillary Treatment Console (Base Console)
Specification Page



- Structural steel powder coated base with levelers
- Decorative brushed nickel bar pulls
- Soft-close steel drawers
- Soft-close concealed hinge doors
- Solid surface counter top
- Undermount stainless steel sink with strainer
- Soap pump
- Through top waste opening (waste receptacle not included)
- Premium embossed laminate fronts and accent panels options

Décor Finish	
Counter Finish	



Grey indicates location of the structural steel base