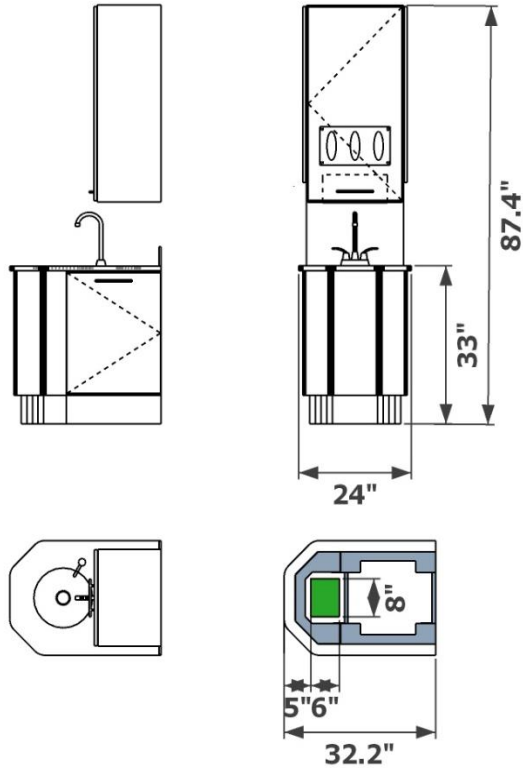




Symmetry Dental Equipment Symmetry 4.0 Collection 5C - T-Wall Console Specification Page

- Structural steel powder coated base with levelers
- Decorative brushed nickel bar pulls
- Soft-close steel drawers
- Soft-close concealed hinge doors
- Solid surface counter top
- Premium embossed laminate fronts and accent panels options
- Undermount stainless steel sink with strainer
- Soap pump
- Through top waste opening (waste receptacle not included)
- Triple glove dispensing with ancillary glove storage
- Under console towel dispensing



Décor Finish	
Counter Finish	

Grey indicates structural steel base.

Green indicates available location for floor based utilities.